

TP1000-S



TP1000-XL



TP1000-D



TP1000-CS55



TP1000-CS75



The **TP1000** mobile telepresence stand is for a wide range of video conferencing and flat panel display applications. It features a hollow body engineered for rack mounting common video conference codecs and accessories. Offered in black laminate finish with aluminum corners. The **TP1000** accommodates a variety of displays based on the chosen TV mount.

**Standard Features**

- Single, XL, Dual displays and Cisco Spark Boards 55, 70 & 75 mount choices
- Adjustable TV bracket height during setup
- Adjustable camera mount for mounting above or below TV
- 3U vertical rack and wiring channel inside main pillar
- Includes 3U mounted codec basket, electronics shelf and a 6 outlet power bar with 10 ft. cord mounted inside
- 4" Heavy duty ball bearing casters with non-marking wheels
- Supports up to 160 lbs displays
- 1x FAN Quiet cooling fan with vented rear panel
- Black laminate finish with aluminum corners

**Mount Choices**

- **Single:** 1x 40"-70" display
- **XL:** 1x 65"-90+" display
- **Dual:** 2x 42"-70" displays
- **CS55:** 1x Cisco Spark Board 55
- **CS70:** 1x Cisco Spark Board 70
- **CS75:** 1x Cisco Spark Board 75

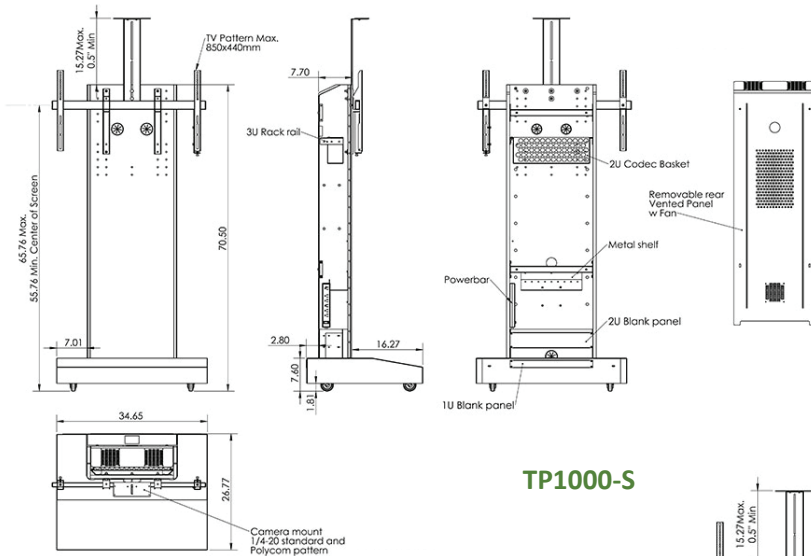
**Specifications**

**Model:** TP1000-S/ XL/ D/ CS55/ CS70/ CS75  
**Width:** S-35" / XL-53" / D-84" / CS55-46" / CS70-60" / CS75-60"  
**Depth:** 26.75"  
**Height:** 70.50"  
**Weight Capacity:** 160 lbs (72 kg) display total  
**Color:** Black laminate with aluminum corners

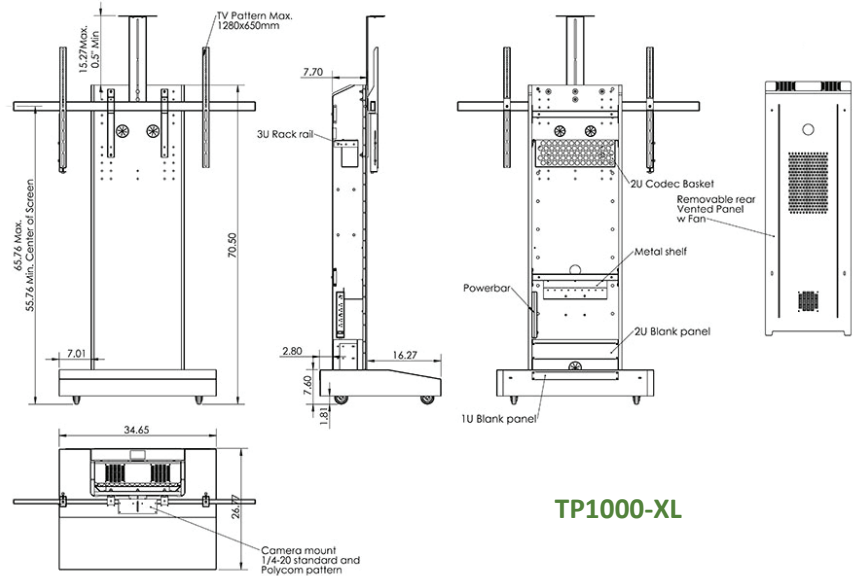
**Options**

- **PB** Six outlet power bar with 10 ft. cord
- **SBB** Sound bar bracket
- **CBB-TV** Under TV camera bracket (26" - 80" TV's)
- **BKT-MCM** Mac mini bracket
- **BKT-ROOM** Cisco Room & Room Plus camera bracket
- **BKT-ST60** Cisco SpeakerTrack60 Camera bracket
- **BKT-C20** C20 Codec bracket
- **BKT-SX20** SX20 Codec bracket
- **SH-TP-B** 3/4" Black thermowrap front shelf
- **RR3** Additional 3U rack rails

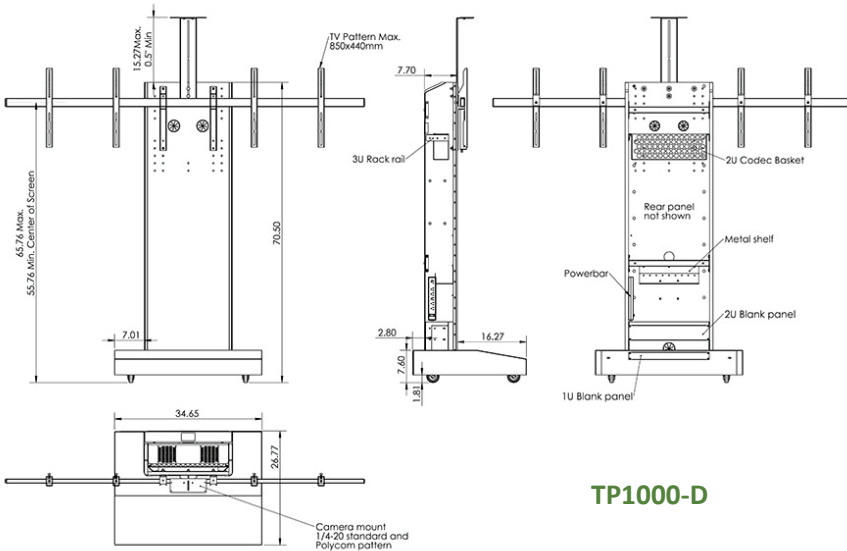
## TP1000 Dimensional Drawings



### TP1000-S



### TP1000-XL



### TP1000-D

The information contained in this drawing is the sole property of Audio Visual Furniture International. Any reproduction in part or as a whole without the written permission of Audio Visual Furniture International is prohibited. We can build or modify stock configurations to suit customer specifications. Please contact us to discuss how this service can help meet your needs. Some quantity restrictions may apply. Specification subject to change without notice. Computers, cameras, monitors, etc. are shown to illustrate product usage and are not included unless otherwise noted.